

HybriDock-BAT

the portable home battery storage system



Stable

Flexible

Stylish

SQUARED-X 

New Dimension Added

Battery Type

LFP

Weight

16kg

IP Protection

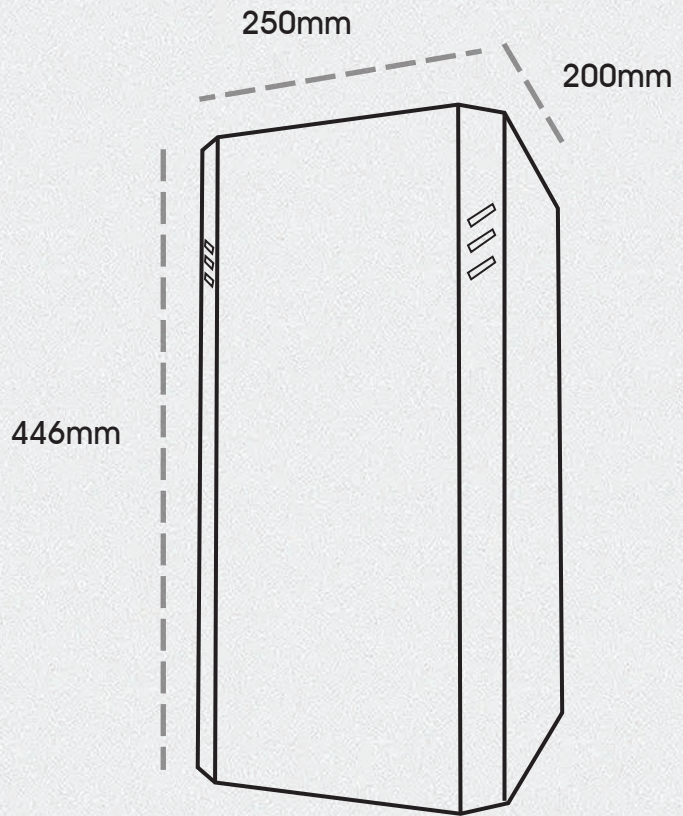
IP20

Energy Capacity

2kWh

Usable Capacity

1.8kWh



DOD (Depth of Discharge)

90%

Nominal Voltage

48V

Operating Voltage Range

45~54V

Cycle Life

6000

